

PARTS LIST

[SP-X100 / SP-CR100]
[SP-R100]

* All printed circuit boards and its assemblies are not available as service parts.

| |
|----------------------------|
| SP-X100/SP-CR100 |
| Area suffix |
| E ----- Continental Europe |
| UJ ----- U.S.Military |
| US ----- Singapore |

| |
|----------------------------|
| SP-R100 |
| Area suffix |
| E ----- Continental Europe |

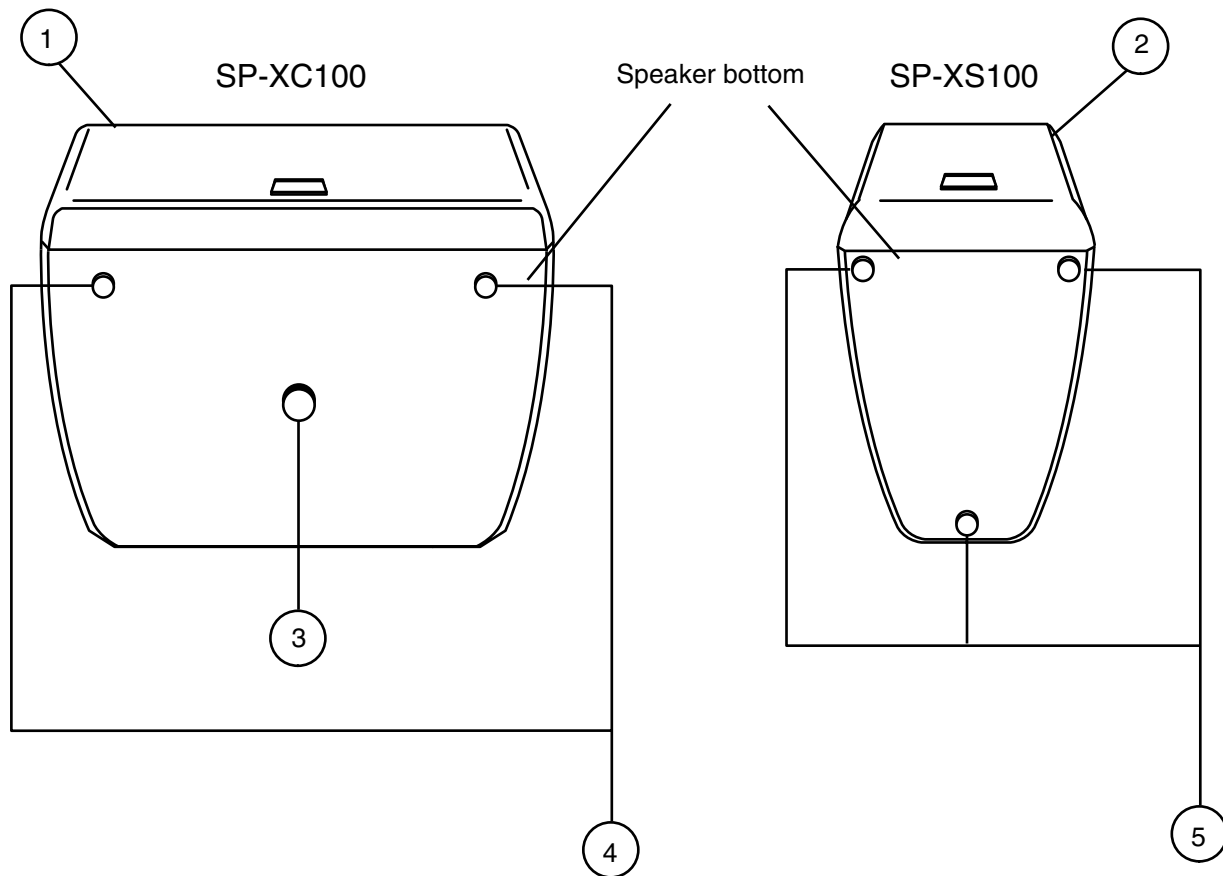
- Contents -

| | |
|--|-------|
| Speaker assembly and accessories parts list | 3-3 |
| Packing materials and accessories parts list(SP-X100) | 3-4 |
| Packing materials and accessories parts list(SP-CR100) | 3-6 |
| Packing materials and accessories parts list(SP-R100)..... | 3-8~9 |

< M E M O >

Speaker assembly and accessories parts list

Block No. M1MM



Parts list (Speaker assembly)

Block No. M1MM

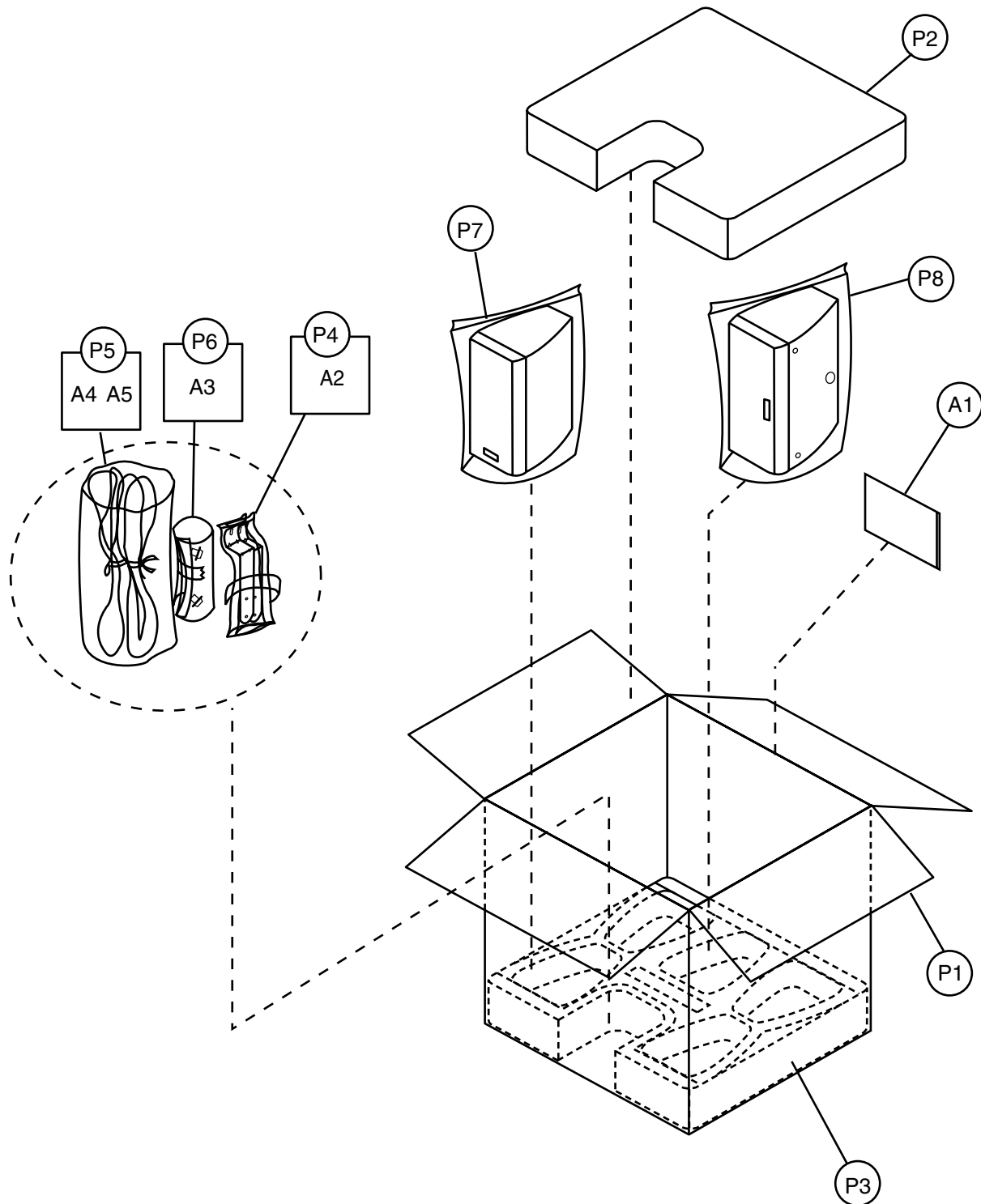
| ▲ | Symbol | Parts number | Parts name | Value | Q'ty | Description | Color |
|---|--------|---------------|----------------|-------|------|-------------|-------|
| | 1 | SP-XC100K | Speaker system | | 1 | With foot | |
| | 2 | SP-XS100K | Speaker system | | 4 | With foot | |
| | 3 | 90-000-053-21 | Foot | | 1 | | |
| | 4 | 90-000-053-11 | Foot | | 2 | | |
| | 5 | 90-000-053-11 | Foot | | 3 | | |

Attention The speaker box of this model is a unit supply.
Therefore, we do not supply it as individual parts.

Packing materials and accessories parts list (SP-X100)

Block No. **M2MM**

Block No. **M3MM**



SP-X100

■ Parts list (Packing)

Block No. M2MM

| △ | Symbol | Parts number | Parts name | Value | Q'ty | Description | Color |
|---|--------|---------------|-------------------|-------|------|------------------|-------|
| | P 1 | 83-000-436-11 | Individual carton | | 1 | | |
| | P 2 | 80-000-452-01 | Cushion (Top) | | 1 | Upper | |
| | P 3 | 80-000-452-11 | Cushion (Bottom) | | 1 | Bottom | |
| | P 4 | 85-000-357-01 | Poly bag | | 1 | For bracket | |
| | P 5 | 85-000-357-71 | Poly bag | | 1 | For speaker cord | |
| | P 6 | 85-000-357-21 | Poly bag | | 1 | For bolt set | |
| | P 7 | 85-000-327-71 | Poly bag | | 4 | SP-XS100 | |
| | P 8 | 85-000-327-71 | Poly bag | | 1 | SP-XC100 | |

SP-X100

■ Parts list (Accessories)

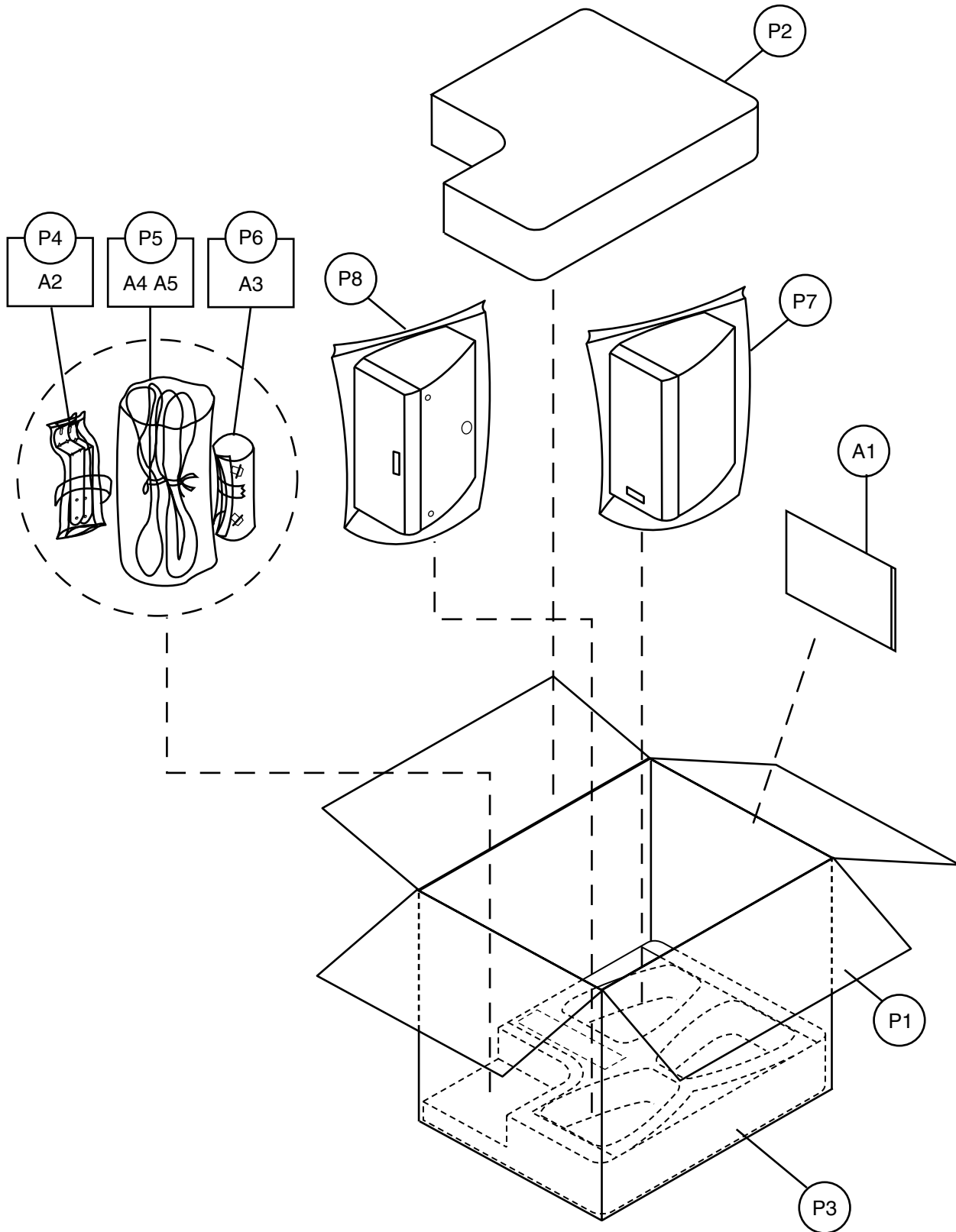
Block No. M3MM

| △ | Symbol | Parts number | Parts name | Value | Q'ty | Description | Color |
|---|--------|---------------|--------------|-------|------|-------------|-------|
| | A 1 | 87-000-929-01 | Instruction | | 1 | | |
| | A 2 | 64-000-200-11 | Bracket | | 2 | | |
| | A 3 | 72-000-359-11 | Bolt set | | 2 | | |
| | A 4 | 62-000-408-01 | Speaker cord | | 3 | Length 5m | |
| | A 5 | 62-000-408-11 | Speaker cord | | 2 | Length 10m | |

Packing materials and accessories parts list (SP-CR100)

Block No. **M4MM**

Block No. **M5MM**



SP-CR100

■ Parts list (Packing)

Block No. M4MM

| △ | Symbol | Parts number | Parts name | Value | Q'ty | Description | Color |
|---|--------|---------------|-------------------|-------|------|------------------|-------|
| | P 1 | 83-000-440-21 | Individual carton | | 1 | | |
| | P 2 | 80-000-454-01 | Cushion (Top) | | 1 | Top | |
| | P 3 | 80-000-452-11 | Cushion (Bottom) | | 1 | Bottom | |
| | P 4 | 85-000-357-01 | Poly bag | | 2 | For bracket | |
| | P 5 | 85-000-357-71 | Poly bag | | 1 | For speaker cord | |
| | P 6 | 85-000-357-21 | Poly bag | | 1 | For bolt set | |
| | P 7 | 85-000-327-71 | Poly bag | | 2 | SP-XS100 | |
| | P 8 | 85-000-327-71 | Poly bag | | 1 | SP-XC100 | |

SP-CR100

■ Parts list (Accessories)

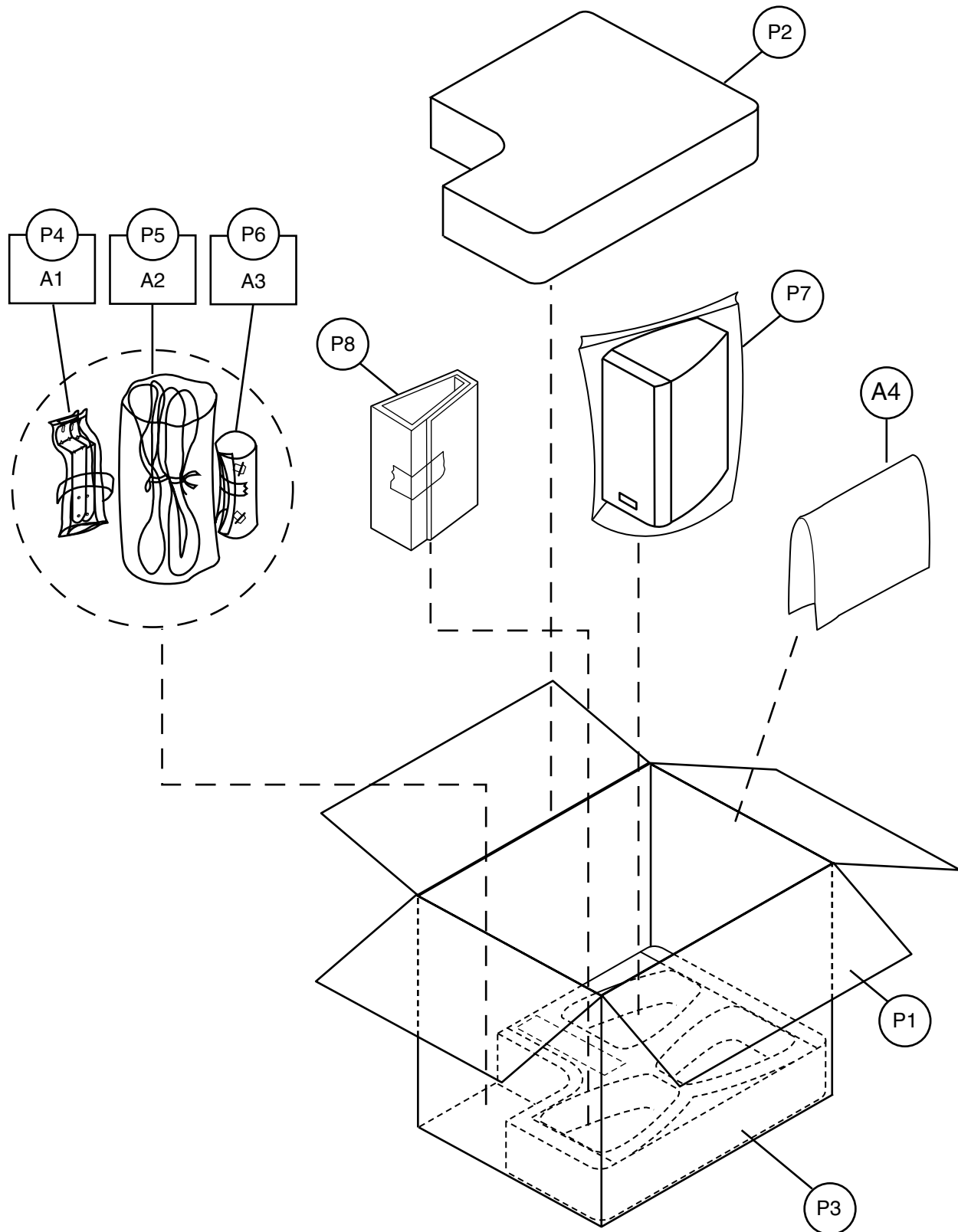
Block No. M5MM

| △ | Symbol | Parts number | Parts name | Value | Q'ty | Description | Color |
|---|--------|---------------|--------------|-------|------|-------------|-------|
| | A 1 | 87-000-935-01 | Instruction | | 1 | | |
| | A 2 | 64-000-200-11 | Bracket | | 2 | | |
| | A 3 | 72-000-359-11 | Bolt set | | 2 | | |
| | A 4 | 62-000-408-01 | Speaker cord | | 1 | Length 5m | |
| | A 5 | 62-000-408-11 | Speaker cord | | 2 | Length 10m | |

Packing materials and accessories parts list (SP-R100)

Block No. **M6MM**

Block No. **M7MM**



SP-R100

■ Parts list (Packing)

Block No. M6MM

| △ | Symbol | Parts number | Parts name | Value | Q'ty | Description | Color |
|---|--------|---------------|-------------------|-------|------|------------------|-------|
| | P 1 | 83-000-440-31 | Individual carton | | 1 | | |
| | P 2 | 80-000-454-01 | Cushion (Top) | | 1 | Top | |
| | P 3 | 80-000-454-11 | Cushion (Bottom) | | 1 | Bottom | |
| | P 4 | 85-000-357-01 | Poly bag | | 2 | For bracket | |
| | P 5 | 85-000-327-71 | Poly bag | | 1 | For speaker cord | |
| | P 6 | 85-000-357-21 | Poly bag | | 1 | For bolt set | |
| | P 7 | 85-000-327-71 | Poly bag | | 2 | SP-XS100 | |
| | P 8 | 81-001-015-01 | Partition | | 1 | | |

SP-R100

■ Parts list (Accessories)

Block No. M7MM

| △ | Symbol | Parts number | Parts name | Value | Q'ty | Description | Color |
|---|--------|---------------|--------------|-------|------|-------------|-------|
| | A 1 | 64-000-200-11 | Bracket | | 2 | Length 10m | |
| | A 2 | 62-000-408-11 | Speaker cord | | 2 | | |
| | A 3 | 72-000-359-11 | Bolt set | | 2 | | |
| | A 4 | 87-000-948-01 | Instruction | | 1 | | |